

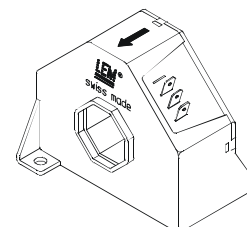
Current Transducer LA 305-S/SP8

$$I_{PN} = 300 \text{ A}$$

For the electronic measurement of currents : DC, AC, pulsed..., with a galvanic isolation between the primary circuit (high power) and the secondary circuit (electronic circuit).



16223



Electrical data

I_{PN}	Primary nominal r.m.s. current	300	A					
I_P	Primary current, measuring range	0 .. ± 500	A					
R_M	Measuring resistance @	$T_A = 70^\circ\text{C}$		$T_A = 85^\circ\text{C}$				
		R_{Mmin}	R_{Mmax}	R_{Mmin}	R_{Mmax}			
		with $\pm 12 \text{ V}$	@ $\pm 300 \text{ A}_{max}$	0	47	0	45	Ω
			@ $\pm 500 \text{ A}_{max}$	0	14	0	12	Ω
		with $\pm 15 \text{ V}$	@ $\pm 300 \text{ A}_{max}$	0	70	5	68	Ω
			@ $\pm 500 \text{ A}_{max}$	0	28	5	26	Ω
I_{SN}	Secondary nominal r.m.s. current	120	mA					
K_N	Conversion ratio	1 : 2500						
V_C	Supply voltage ($\pm 5 \%$)	$\pm 12 \dots 15$	V					
I_C	Current consumption	20 (@ $\pm 15 \text{ V}$) + I_S	mA					
V_b	R.m.s. rated voltage ¹⁾ , safe separation	1750	V					
		basic isolation	3500	V				
V_d	R.m.s. voltage for AC isolation test, 50 Hz, 1 mn	6	kV					

Accuracy - Dynamic performance data

X_G	Overall accuracy @ $I_{PN}, T_A = 25^\circ\text{C}$	± 0.8	%	
e_L	Linearity error	< 0.1	%	
I_O	Offset current @ $I_P = 0, T_A = 25^\circ\text{C}$	Typ	Max	
			± 0.20	mA
			± 0.40	mA
I_{OM}	Residual current ²⁾ @ $I_P = 0$, after an overload of $3 \times I_{PN}$	± 0.2	± 0.50	mA
I_{OT}	Thermal drift of I_O - $40^\circ\text{C} \dots + 85^\circ\text{C}$	± 0.2	± 0.50	mA
t_{ra}	Reaction time @ 10 % of I_{PN}	< 500	ns	
t_r	Response time ³⁾ @ 90 % of I_{PN}	< 1	μs	
di/dt	di/dt accurately followed	> 100	A/ μs	
f	Frequency bandwidth (- 3 dB)	DC .. 100	kHz	

General data

T_A	Ambient operating temperature	- 40 .. + 85	$^\circ\text{C}$	
T_S	Ambient storage temperature	- 50 .. + 90	$^\circ\text{C}$	
R_S	Secondary coil resistance @	$T_A = 70^\circ\text{C}$	35	Ω
		$T_A = 85^\circ\text{C}$	37	Ω
m	Mass	290	g	
	Standards	EN 50155(95.11.01)		

Notes : ¹⁾ Pollution class 2. With a non insulated primary bar which fills the through-hole

²⁾ The result of the coercive field of the magnetic circuit

³⁾ With a di/dt of 100 A/ μs .

Features

- Closed loop (compensated) current transducer using the Hall effect
- Insulated plastic case recognized according to UL 94-V0.

Specials features

- $T_A = - 40^\circ\text{C} \dots + 85^\circ\text{C}$
- Connection to secondary circuit on 3 Faston 6.3 x 0.8 mm.
- Potted
- Railway equipment.

Advantages

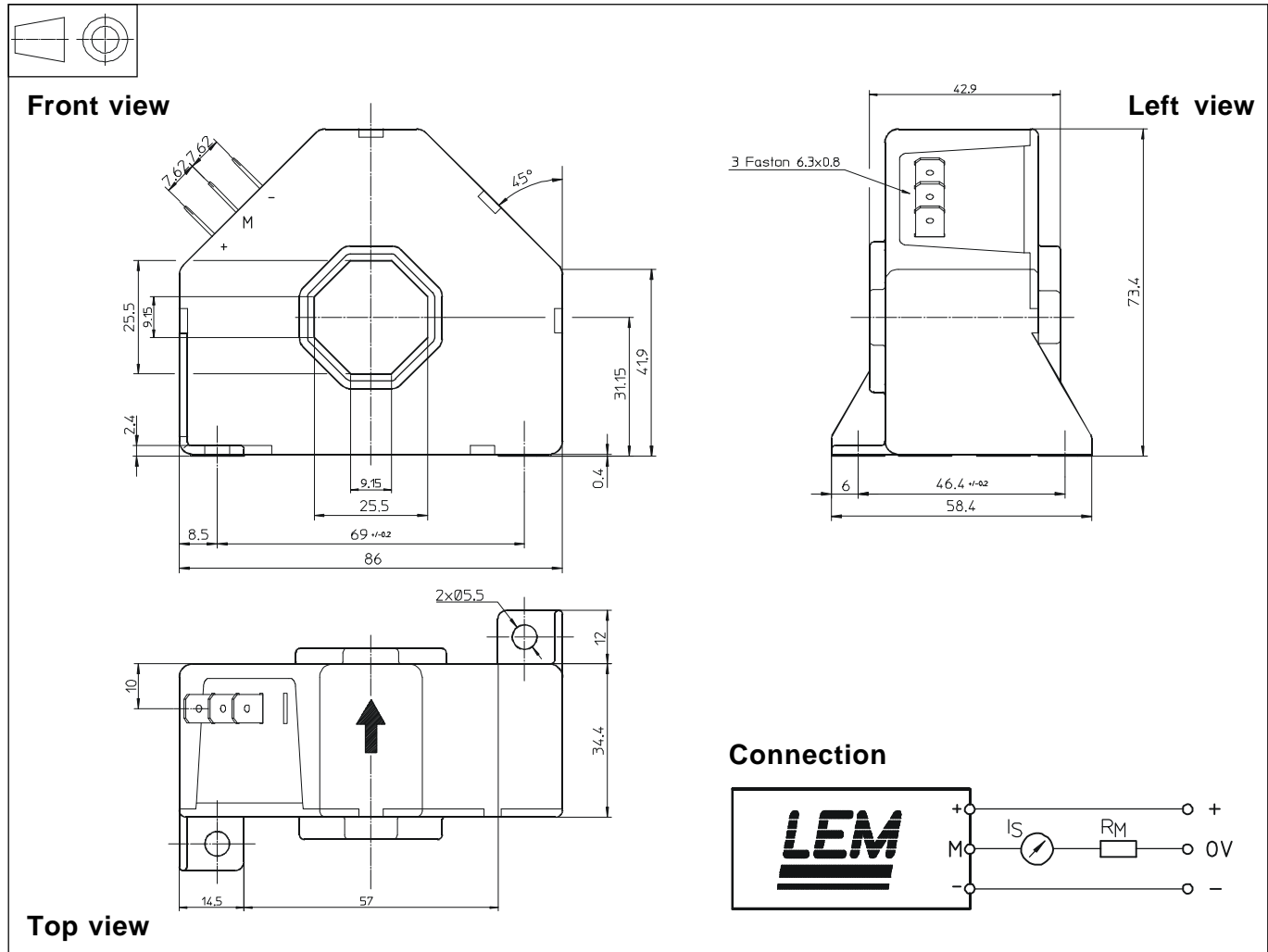
- Excellent accuracy
- Very good linearity
- Low temperature drift
- Optimized response time
- Wide frequency bandwidth
- No insertion losses
- High immunity to external interference
- Current overload capability.

Applications

- AC variable speed drives and servo motor drives
- Static converters for DC motor drives
- Battery supplied applications
- Uninterruptible Power Supplies (UPS)
- Switched Mode Power Supplies (SMPS)
- Power supplies for welding applications.

060913/4

Dimensions LA 305-S/SP8 (in mm. 1 mm = 0.0394 inch)



Mechanical characteristics

- General tolerance ± 0.5 mm
- Transducer fastening
 - 2 holes $\varnothing 5.5$ mm
 - 2 M5 steel screws
- Fastening torque, max. 4 Nm or 2.95 Lb. - Ft.
- Primary through-hole 25.5 x 25.5 mm
- Connection of secondary Faston 6.3 x 0.8 mm

Remarks

- I_S is positive when I_p flows in the direction of the arrow.
- Temperature of the primary conductor should not exceed 100°C.
- Dynamic performances (di/dt and response time) are best with a single bar completely filling the primary hole.